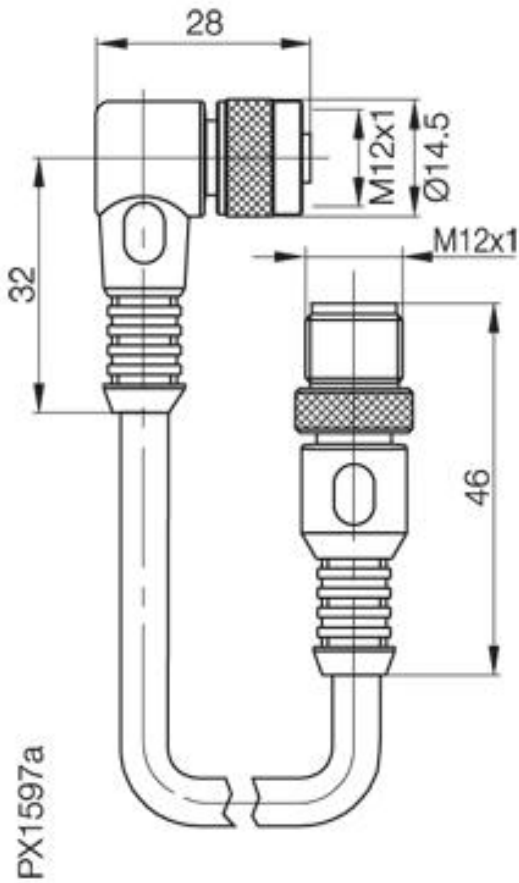


Accessories: Connectors BKS-B 20-4-GS4-PU-



Common Data

Version
Usable with
Ambient temperature

Connection cable, angle, 3-pins
on Sensors with connection S4
(DC, PNP-NO, M12)
-25...+85°C

Mechanical Data

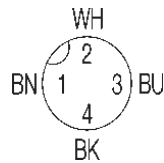
Measurements WxHxD or Dia x D
Protection class per IEC 60529
Cable version
Conductor cross section

28x32,5x15 + 46xØ14,5
IP67
LifY Y-11Y-0
3x0,34

Electrical Data

Supply voltage

10...30V DC



Datasheet number::

Definitions see general catalog.
If not otherwise noted, ratings according to
IEC 60947-5-2 (DIN EN60947-5-2)

Balluff GmbH
Schurwaldstrasse 9
73765 Neuhausen a.d.F.
Phone (07158) 173-0 Fax (07158) 5010

Datenblatt by CD-ROM - 04/2007

BALLUFF
sensors worldwide